

Hy-Lok

www.hy-lok.com

Catalog No. H-110BPTV
Jan. 2008

110P Series Push Turn Ball Valves



Design and Engineering

- Maximum operating pressure of 1000psig(6.895MPa) @100°F(38°C) with reinforced PTFE
- Low torque for easy operation
- Normally open type (N.O) and Normally close type (N.C)
- Locked normal position (open or close) for safety
- 100% factory tested before shipout

Application

- Chemical plants, Refineries, Steel mills, Fuel lines, Heavy vehicles, Semiconductor.



HY-LOK CORPORATION

©2008 HY-LOK CORPORATION All rights reserved



ISO 14001



OHSAS 18001

Table of Dimensions

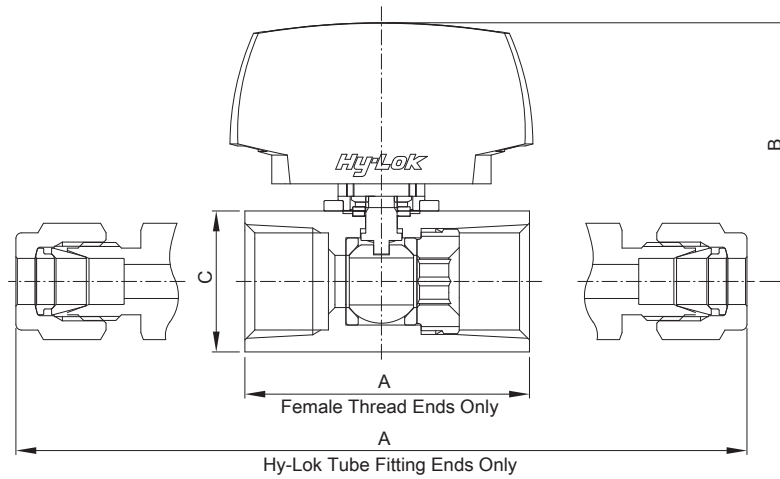
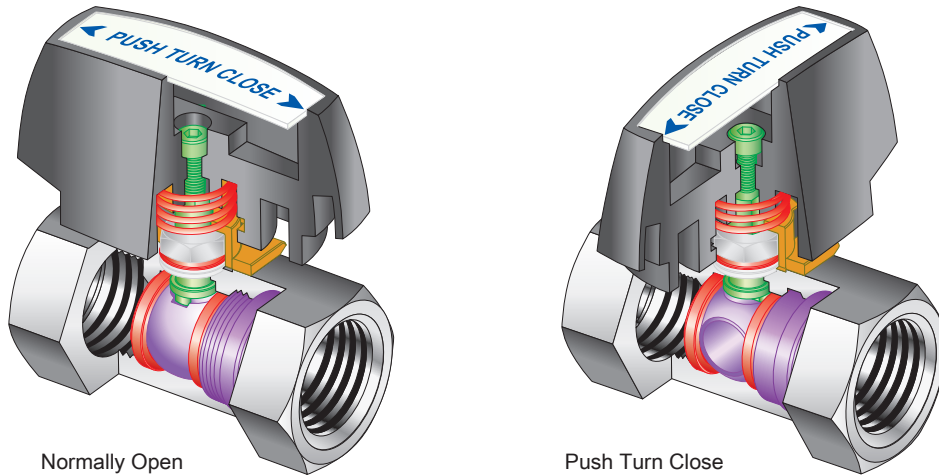
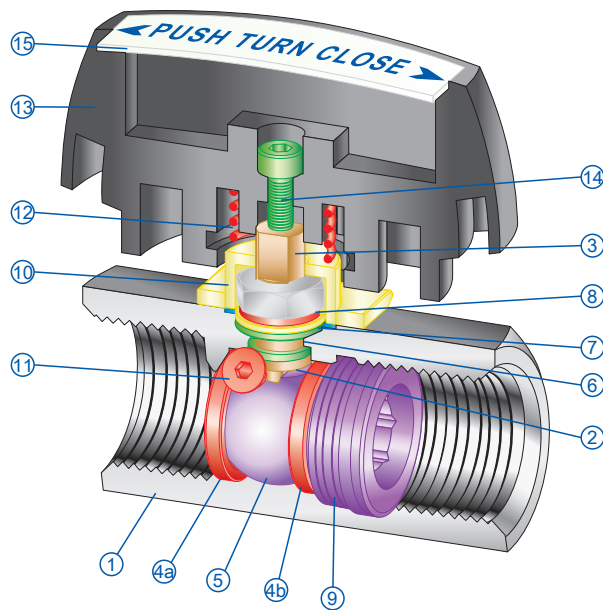


Table of Dimensions

| Basic PartNo. | Orifice | Cv | End Connection | Dimensions | | | Weight (kg) |
|---------------|---------|------|----------------|------------|----|---------|-------------|
| | | | | A | B | C(Hex.) | |
| BPTVF - 10M | 7.5 | 4.2 | Both End | A | 45 | 20.6 | 0.22 |
| BPTVH - 6T | | | 10mm Hy-Lok | 90.0 | | | |
| BPTVF - 6N | | | 3/8" Hy-Lok | 90.0 | | | |
| BPTVH - 12M | 9.0 | 6.5 | 3/8" FemaleNPT | 45.0 | 50 | 27.0 | 0.13 |
| BPTVH - 8T | | | 12mm Hy-Lok | 99.0 | | | |
| BPTVF - 8N | | | 1/2" Hy-Lok | 99.0 | | | |
| BPTVF - 16M | 12.5 | 8.0 | 1/2" FemaleNPT | 54.5 | 53 | 32.0 | 0.21 |
| BPTVH - 10T | | | 16mm Hy-Lok | 109.0 | | | |
| BPTVF - 12N | | | 8/5" Hy-Lok | 109.0 | | | |
| BPTVH - 12T | 16.0 | 25.0 | 3/4" FemaleNPT | 61.0 | 55 | 38.0 | 0.33 |
| BPTVH - 16T | | | 3/4" Hy-Lok | 110.0 | | | |
| BPTVF - 16N | | | 1" Hy-Lok | 134.0 | | | |
| | | | 1" Female NPT | 76.0 | | | 0.57 |
| | | | | | | | 0.85 |
| | | | | | | | 0.60 |

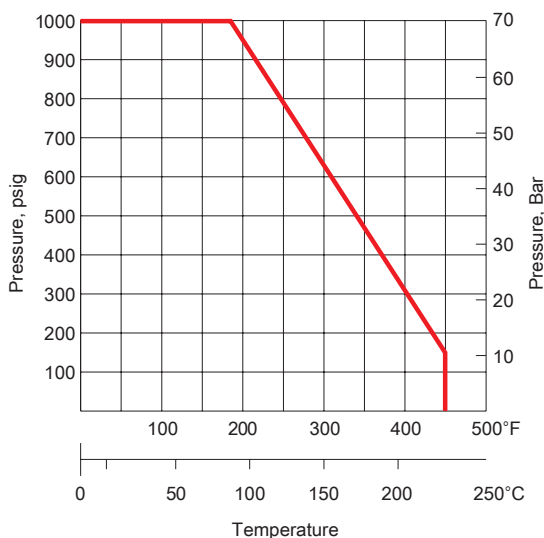
All dimensions are in millimeters. Dimensions shown with Hy-Lok nut in finger-tight position, where applicable.



Material of Constructions

| No. | Description | Grade / ASTM Specification |
|-----|---------------|--------------------------------|
| 1 | Body | SS316 / Brass |
| 2 | Inner Packing | Reinforced PTFE |
| 3 | Stem | SS316 / A479 |
| 4a | Seat #1 | Reinforced PTFE |
| 4b | Seat #2 | Reinforced PTFE |
| 5 | Ball | SS316 / A479 |
| 6 | Outer Packing | Reinforced PTFE |
| 7 | Gland | SS316 |
| 8 | Nut | SS316 |
| 9 | Insert | SS316 / A479 |
| 10 | Stopper | SS316 |
| 11 | Screw | SS304 |
| 12 | Spring | SS304 |
| 13 | Handle | Dielectric Nylon (Black Color) |
| 14 | Bolt | SS304 |
| 15 | Handle Cover | Aluminum |

Pressure and Temperature Rating



Ordering Information

BPTV F 8N NO S316

VALVE TYPE
END CONNECTION
 H : Hy-Lok Fitting
 F : Female Pipe Thread

BODY MATERIAL
 S316 : 316 Stainless Steel
 BRAS : Brass

HANDLETYPE
 NO: Normally Open
 NC : Normally Close

NPT (ISO / BSP)

| Thread (in.) | 3/8 | 1/2 | 3/4 | 1 |
|--------------|-------|-------|--------|--------|
| Designator | 6N(R) | 8N(R) | 12N(R) | 16N(R) |

TUBE

| Functional Tube | O.D(in) | 3/8 | 1/2 | 5/8 | 3/4 | 7/8 | 1 |
|-----------------|------------|-----|-----|-----|-----|-----|-----|
| | Designator | | 6T | 8T | 10T | 12T | 14T |
| Metric Tube | O.D(mm) | 10 | 12 | 15 | 16 | 22 | 25 |
| | Designator | | 10M | 12M | 15M | 16M | 22M |

SAFETY in VALVE SELECTION

Proper installation, material compatibility, operation and maintenance of the valves is the responsibility of the user. The total system design must be taken into consideration to ensure optimal performance and safety.



HY-LOK CORPORATION

■ **QUALITY SYSTEM CERTIFICATES**



ISO 9001
CERTIFICATE NO. GQC 212

ASME SECT III (MO)
CERTIFICATE NO. QSC 584

■ **TYPE APPROVALS** (for Hy-Lok Tube Fittings)



American Bureau Shipping
CERTIFICATE NO. 05-BK576227-X



Lloyd's Register
CERTIFICATE NO. 01/10075



GERMANISCHER LLOYD
CERTIFICATE NO. 40297-01HH



DET NORSKE VERITAS
CERTIFICATE NO. P -10432



Distributed by :

www.hy-lok.com